



UFO Series Highbay

Original design

VAC VAC
100-277 277-480

5 Years
Warranty



WeledPower®



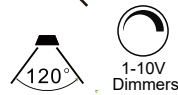
Glass diffuser tough



PC Lens
60° /90° /110°



PC milky white mas

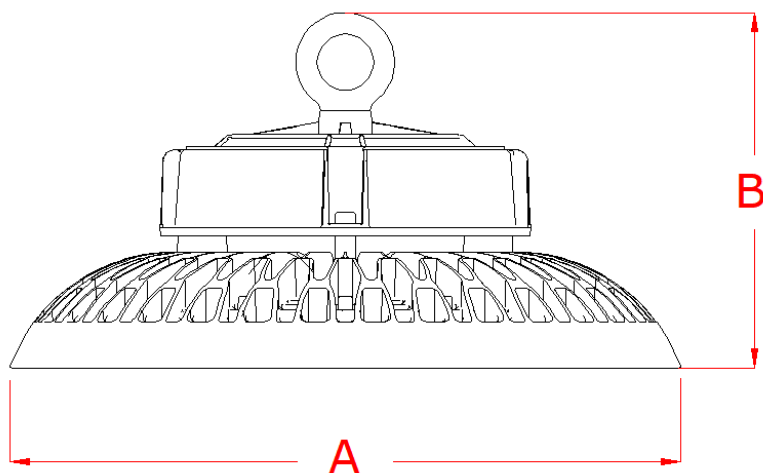


140 Lm/W LM-80 CRI >70 PF ≥0.9

Product Features

1. Innovative & unique structure and design
2. Die-casting radiator with excellent heat dissipation, overall powder-coated and through 2000hrs' salt spray testing
3. With high transmittance of PC lens, PC cover and glass to take the different light distribution optional.
4. Adopting 4mm toughened glass, no need external protective cover, high strength and high transmittance over 93%.
5. Using the appropriate water-proof connector and silicone ring to seal, protecting level reaching IP65, suitable for different kinds of outdoor harsh working environment.

Product Dimension

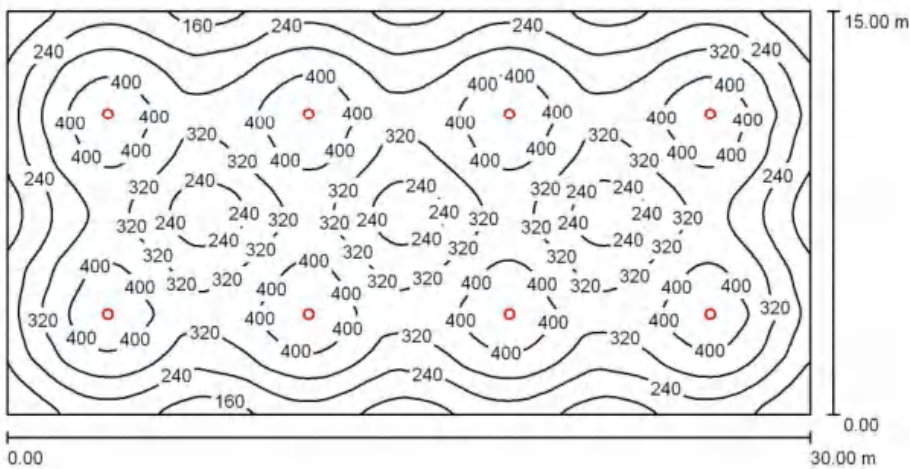


Part NO.	GL-UFO-Y1-100	GL-UFO -Y2-160	GL-UFO-Y2-200	GL-UFO-Y2-240
A (inch)(mm)	(9.84") Φ 250	(11.77") Φ 299	(13.58") Φ 345	(13.58") Φ 345
B (inch)(mm)	(7.01") 178	(7.13") 181	(7.20") 183	(7.72") 196

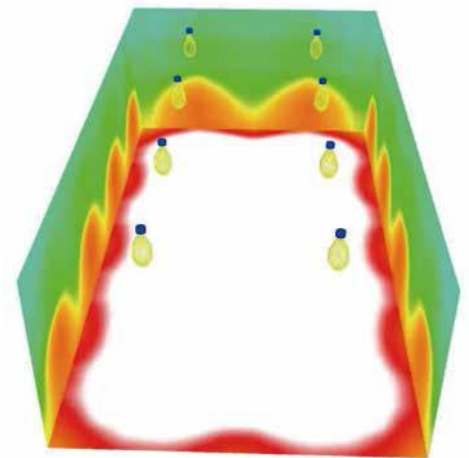
Specification

Part No.	Power	Input Voltage	IP Rating	Input Current	PF	Light Efficacy	Ra	CCT
GL-UFO-Y1-100	100W	AC100-277V	IP 65	1.0A	>0.9	140lm/w	70	4000-5700K
GL-UFO-Y2-160	160W	AC100-277V	IP 65	1.6A	>0.9	140lm/w	70	4000-5700K
GL-UFO-Y2-200	200W	AC100-277V	IP 65	2.0A	>0.9	140lm/w	70	4000-5700K
GL-UFO-Y2-240	240W	AC100-277V	IP 65	2.4A	>0.9	140lm/w	70	4000-5700K

Simulation chart

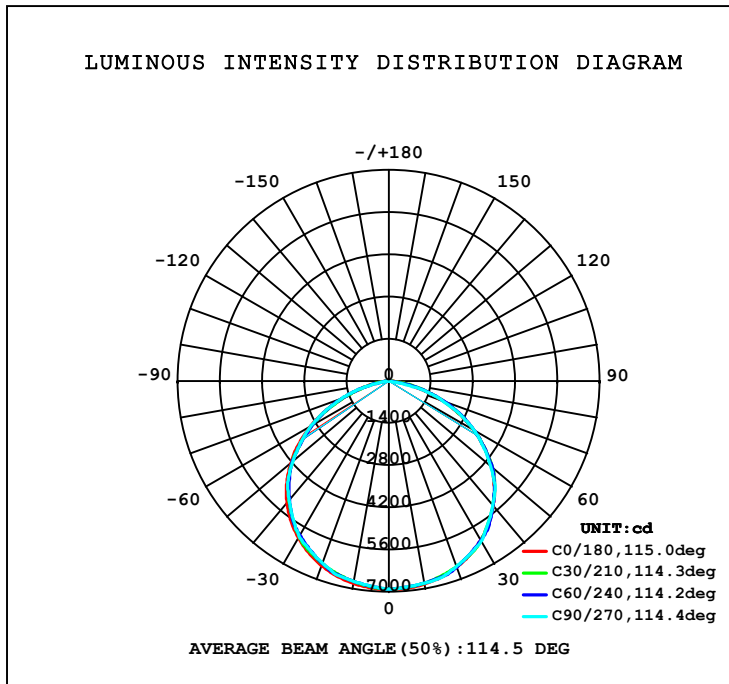


Line graph

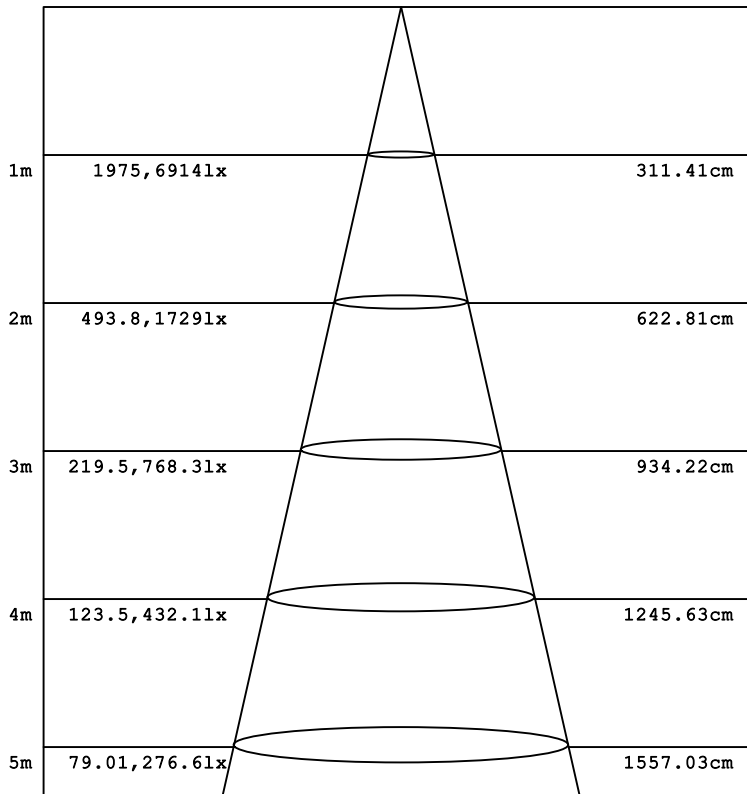


Thermal Imaging

Testing Report

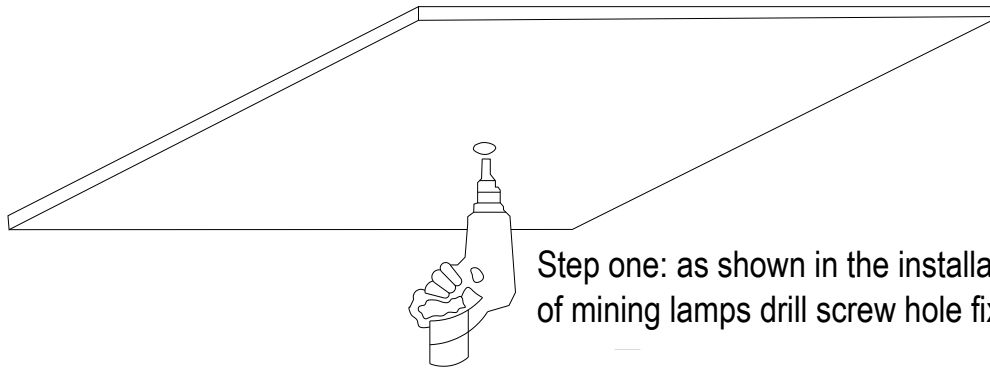


Flux out: 15290 lm

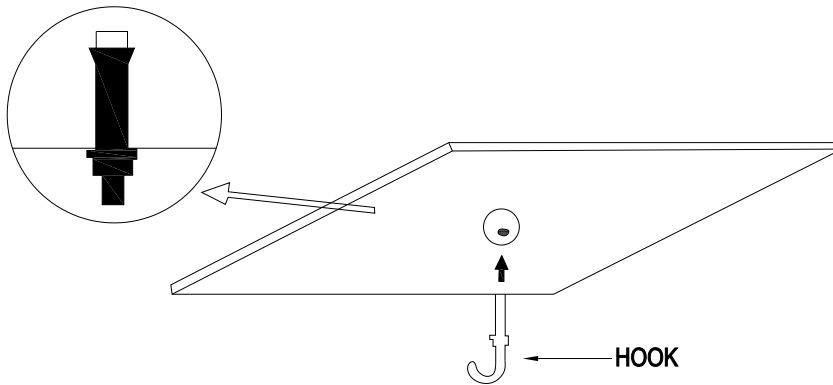


Note: The Curves indicate the illuminated area and the average illumination when the luminaire is at different distance.

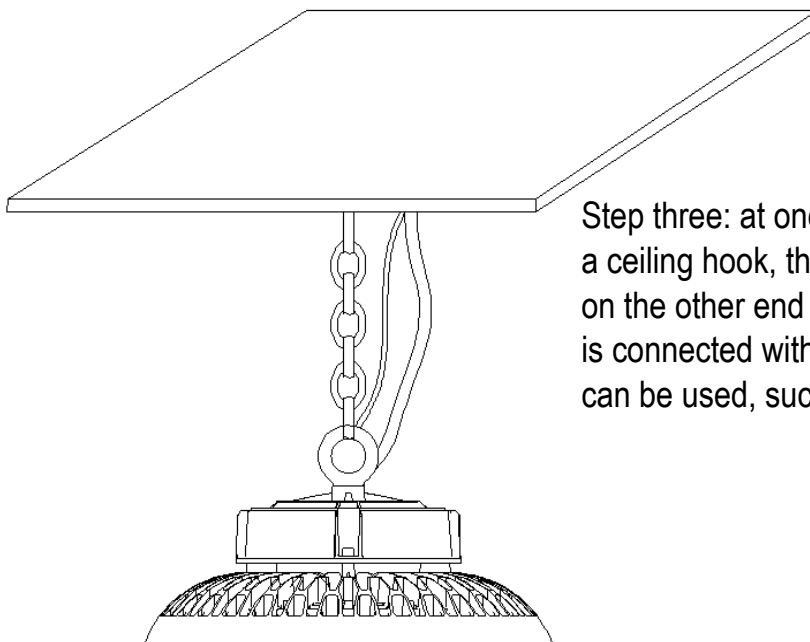
Installation



Step one: as shown in the installation position of mining lamps drill screw hole fixed the chain a good.



Step two: then in the drill hole position will hook is fixed at the drill hole position. (pictured above)



Step three: at one end of the chain placement in a ceiling hook, then the UFO lamp hook and chain on the other end of the hook and good, is connected with the commercial power can be used, such as above shown.

Packing /weight

Part NO.	Outer Carton Size (LxWxH)	Qty/Carton (pcs)	Net weight (kg)(lbs)	Gross weight (kg)(lbs)	20GP (QTY)	40HP (QTY)
GL-UFO-Y1-100	280*280*170mm	1PCS	2.20Kg 4.84 lbs	3.0Kg 6.6 lbs	2000PCS	4730PCS
GL-UFO-Y2-160	340*340*185mm	1PCS	3.3Kg 7.26 lbs	4.30Kg 9.46lbs	1250PCS	2958PCS
GL-UFO-Y2-200	380*380*185mm	1PCS	3.9Kg 8.58 lbs	5.0Kg 11.0lbs	1000PCS	2366PCS
GL-UFO-Y2-240	380*380*200mm	1PCS	4.9Kg 10.8 lbs	6.1Kg 13.4bs	937PCS	2218PCS

Packing

