

---

# Commercial LED Wall Light/ LED Wall Pack WL278-W030 / WL278-W060



---

## 1.The application of the occasions

Factory workshop, gym, industrial lighting, wall lighting area.

---

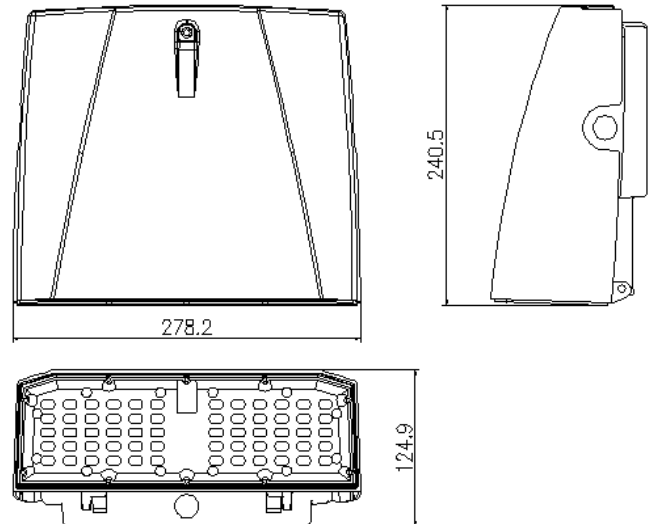
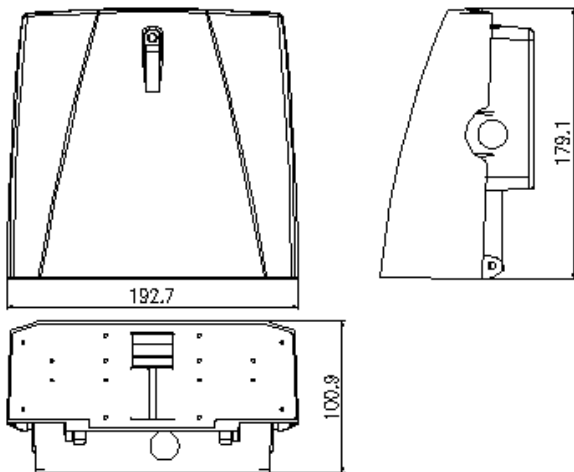
## 2. Features

- 1 Owing series of patents. Unique funnel heat sink, making the lamp better for heat dissipation. Using high transmittance lens , which is suitable for wall light distribution.
- 2 The LED driver and LED light source are separated, which is convenient for installation and assembling.
- 3 Unique appearance, and driver can be replaced easily.
- 4 Using Lumileds 3030 LED chip and high quality power supply is applied.
- 5 Microwave motion sensor and photo sensor can be applied.
- 6 IP65.

### 3 Dimension for the product

#### WL278-W030

#### WL278-W060



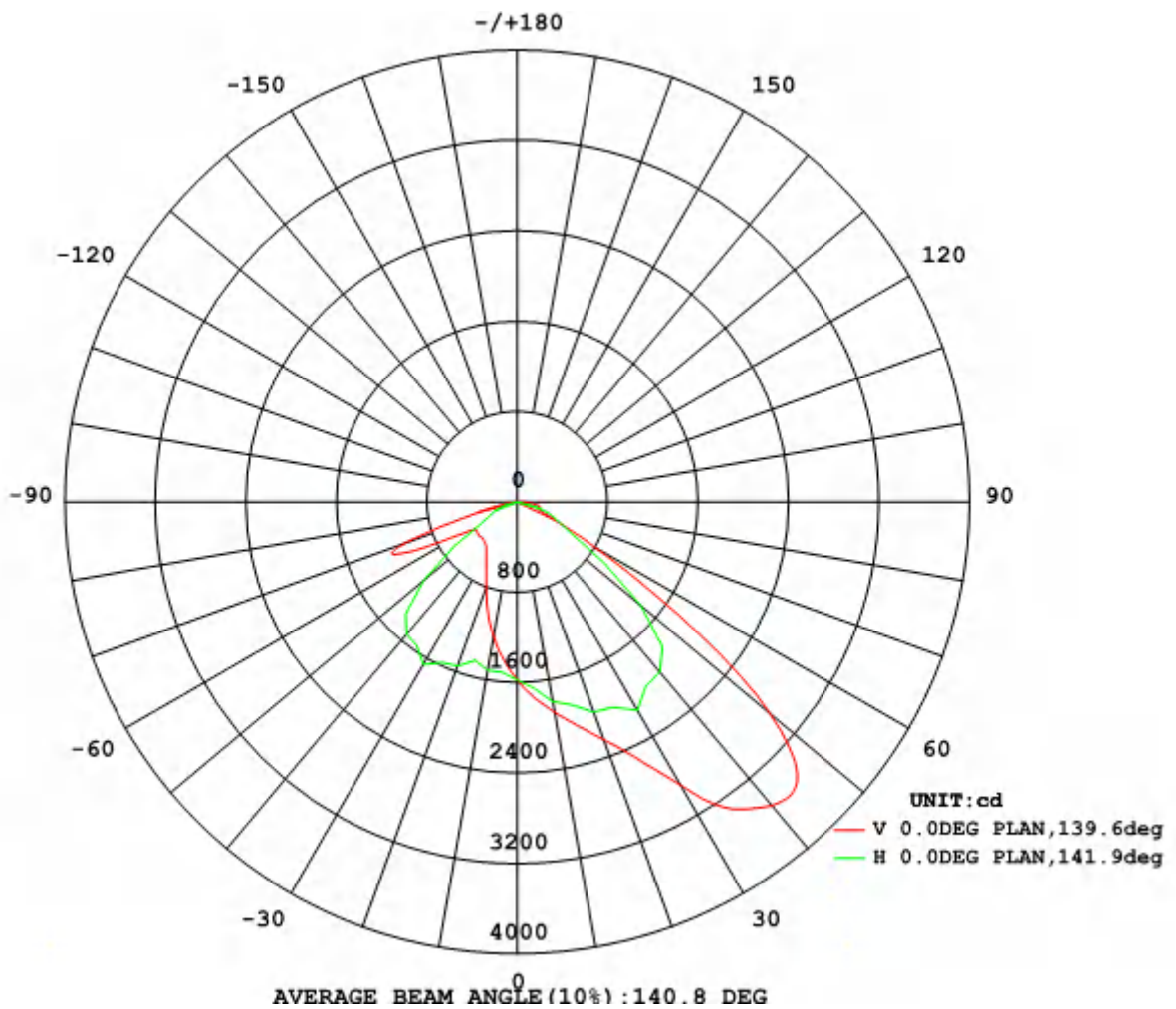
### 4 Main technical parameters

Item NO.	CCT	RA	Lumens	Input Voltage	Lamp power	Product size	Packaging size	N.W	G.W.
WL278-W030	3000K~7000K	≥70	3700±5% LM	AC 100-277V	30W	193*180*101 mm	250*240*160 mm	2.4 KG	2.7 KG
WL278-W060	3000K-7000K	≥70	7600±5% LM	AC 100-277V	60W	278*241*125 mm	330*310*200 mm	4 KG	4.5 KG
IP65									
PF>0.9									
Storage Temp: -40 ~ 50°C									

---

## 5 Luminous Spot

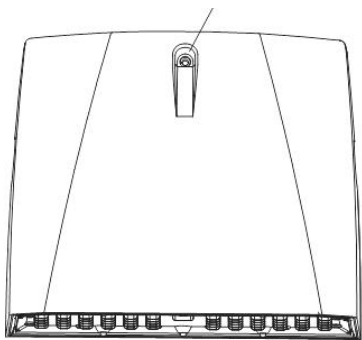
Beam Angle: 90\*120DEG.



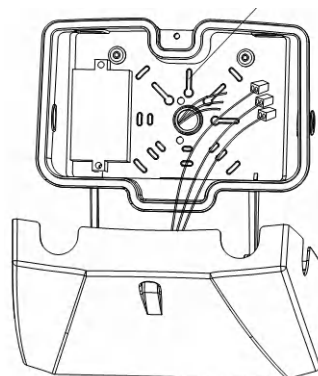
---

## 6 Instruction for Installation

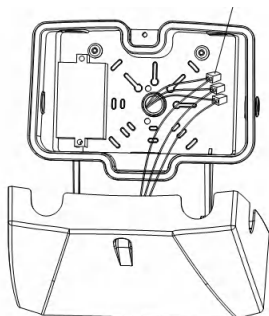
1. Take off the screw and open the lamp.



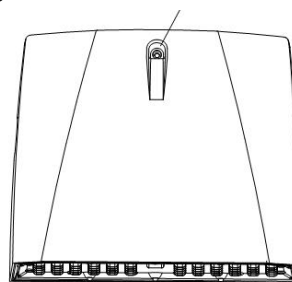
2. Use screws to install the lamp onto the solid wall.



3. Connect the input wire, and then tighten the connector.



4. Tighten the screw to close the lamp.



---

## 7 Attentions for installation

- Cut off the power and make sure the wall can burden the weight of the lamp before install the lamp.
- Make sure the lamp correctly installed, in case of the lamp's dropping down.
- Do not use the lamp in the area with aggressive gas.
- Do not cover the lamp with anything which is harm for heat dissipation.
- Be careful and connect the ground line well.
- Guarantee 5 years.
- Products faults caused by separating, remodeling or incorrectly construction are not in the warranty area.